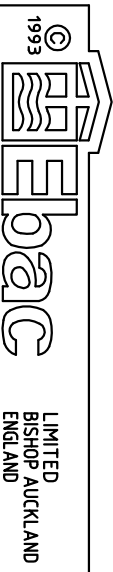
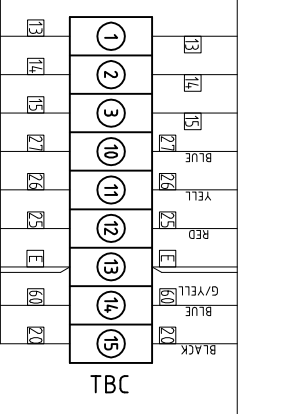
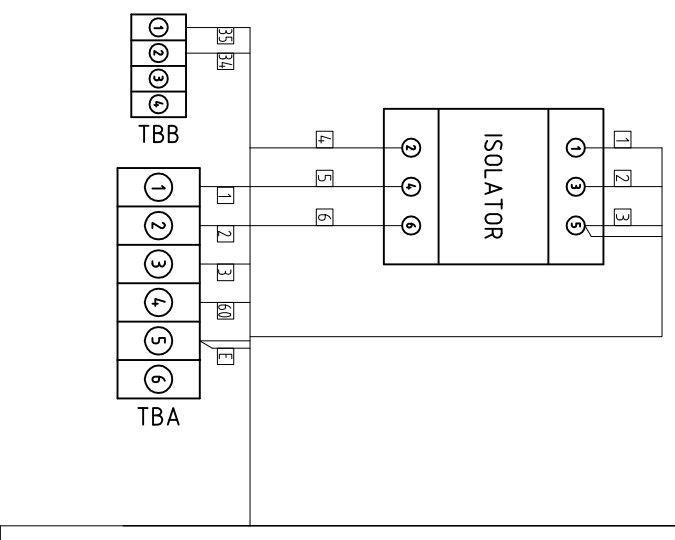
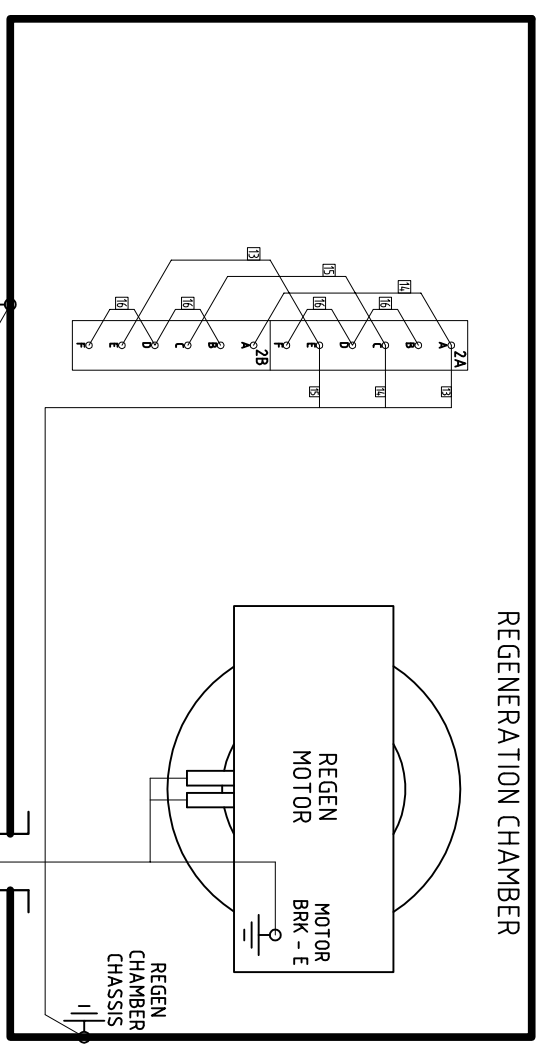
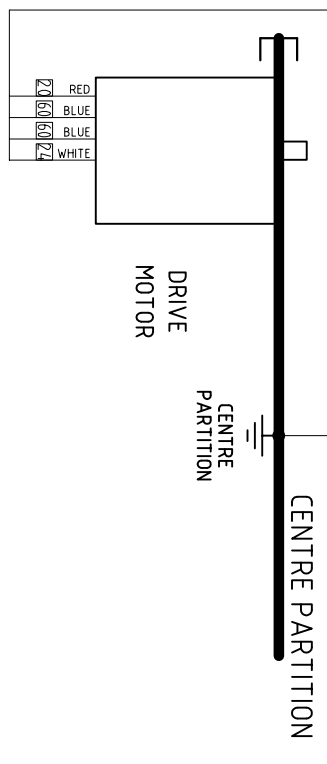
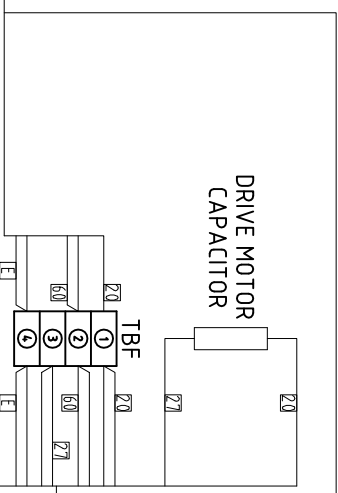
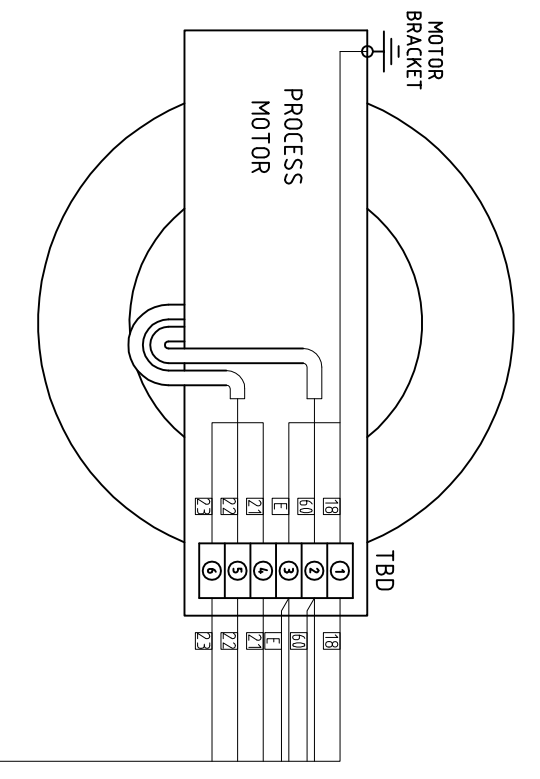
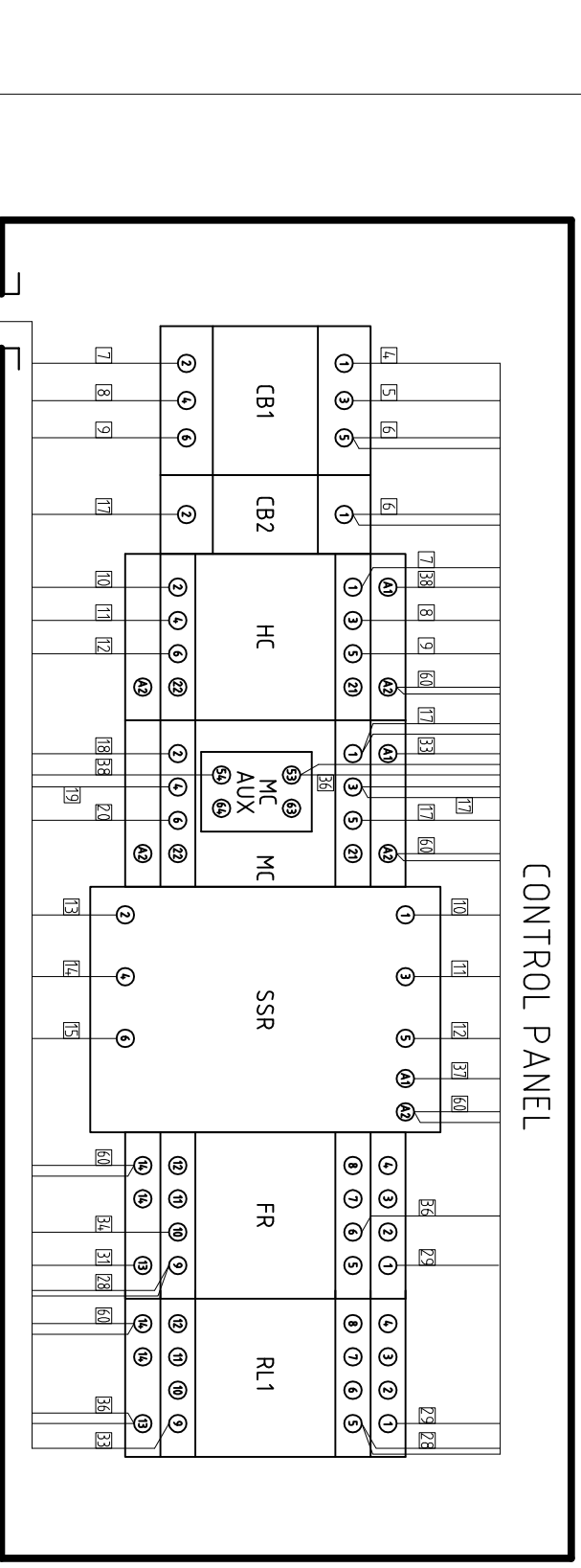
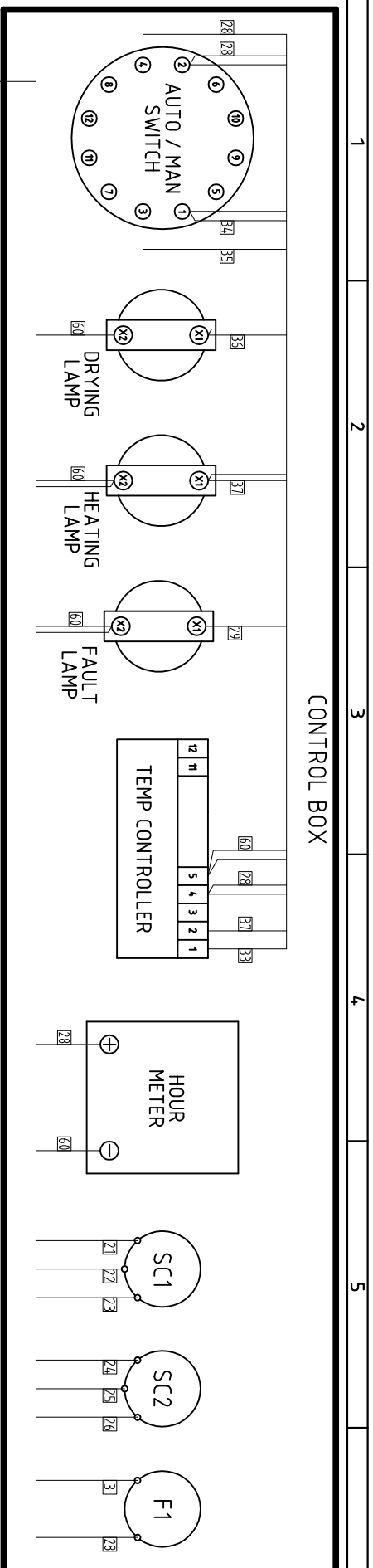


ISSUE	DATE	AMENDMENTS
1	30/11/12	ORIGINAL



3RD ANGLE PROJECTION  
DO NOT SCALE  
IF IN DOUBT ASK

DIMENSIONS IN m.m.  
TOLERANCES UNLESS OTHERWISE STATED  
0.0  
0.00  
ANGULAR ± 0.5 DEGREE

± 1  
± 0.25  
± 0.05

TITLE	DD700 - WIRING DIAGRAM	
MATERIAL	N/A	
FINISH	N/A	
	DRAWN: W DAGLISH	
	CAD SCALE: N/A	
	DRG.NO. 5010355	
		SHEET 1 OF 1