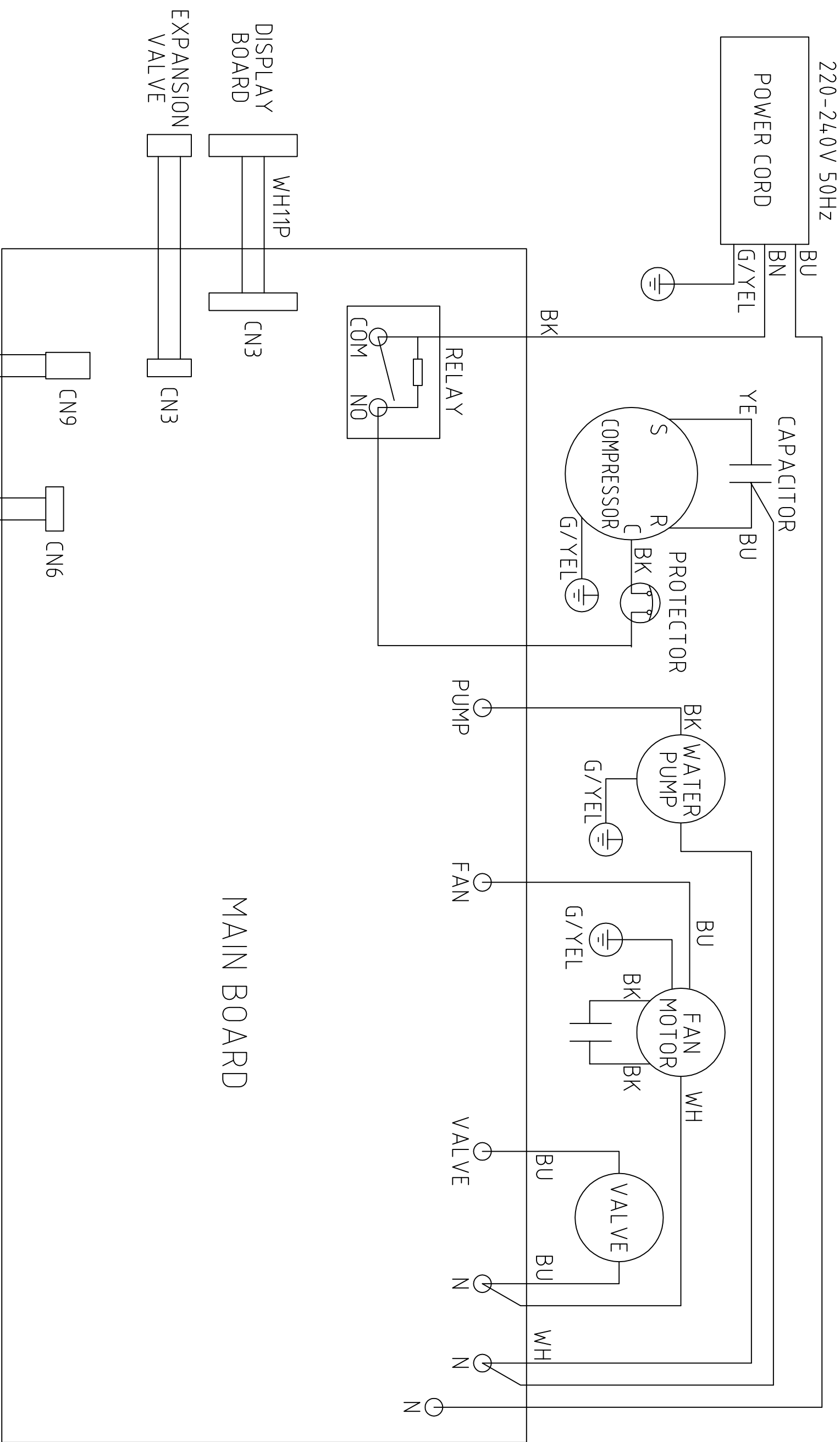


AMENDMENTS	
ISSUE	DATE
1	16/01/12
	ORIGINAL



MAIN BOARD

				BISHOP AUCKLAND Co. DURHAM ENGLAND		TITLE RM95 WIRING SCHEMATIC - UK/GE	
3RD ANGLE PROJECTION DO NOT SCALE IF IN DOUBT ASK		DIMENSIONS IN m.m. TOLERANCES UNLESS OTHERWISE STATED 0.0 ± 0.25 0.00 ± 0.05 ANGULAR ± 0.5 DEGREE		MATERIAL N/A		FINISH N/A	
DRAWN : W DAGLISH CAD SCALE : N/A				DRG.NO. 50203222		SHEET 1 OF 1	