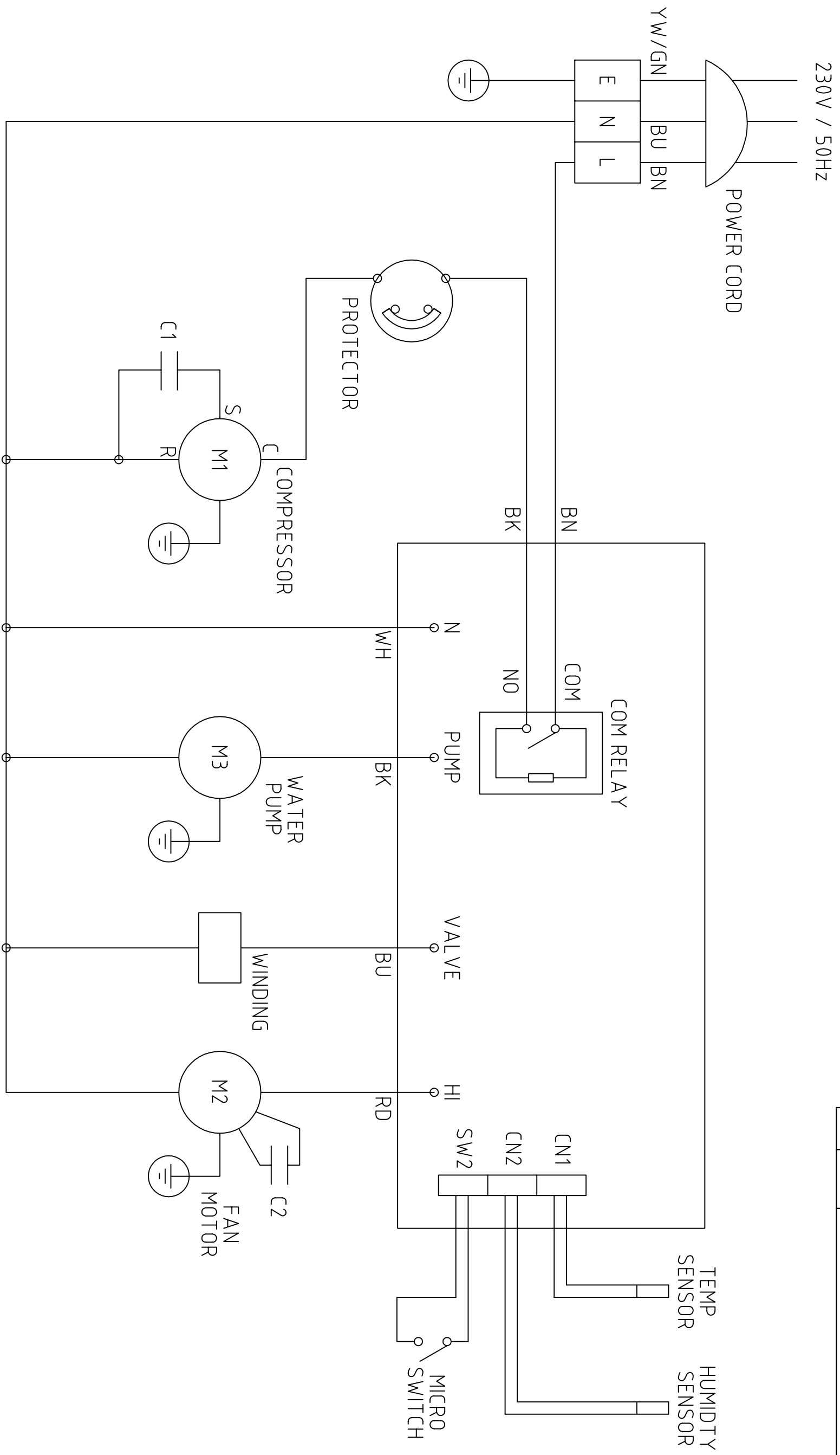


ISSUE	DATE	AMENDMENTS
1	07/09/11	ORIGINAL



		BISHOP AUCKLAND Co. DURHAM ENGLAND		<b>TITLE</b> RM65 WIRING SCHEMATIC - UK / GE	
<b>3RD ANGLE PROJECTION</b> DO NOT SCALE IF IN DOUBT ASK		<b>DIMENSIONS IN m.m.</b> TOLERANCES UNLESS OTHERWISE STATED 0.0 ± 0.25 0.00 ± 0.05 ANGULAR ± 0.5 DEGREE		<b>MATERIAL</b> N/A	
		<b>FINISH</b> N/A		<b>DRAWN:</b> W DAGLISH <b>CAD SCALE:</b> N/A <b>DRG.NO.</b> 5020315	
		<b>SHEET</b> 1 OF 1			