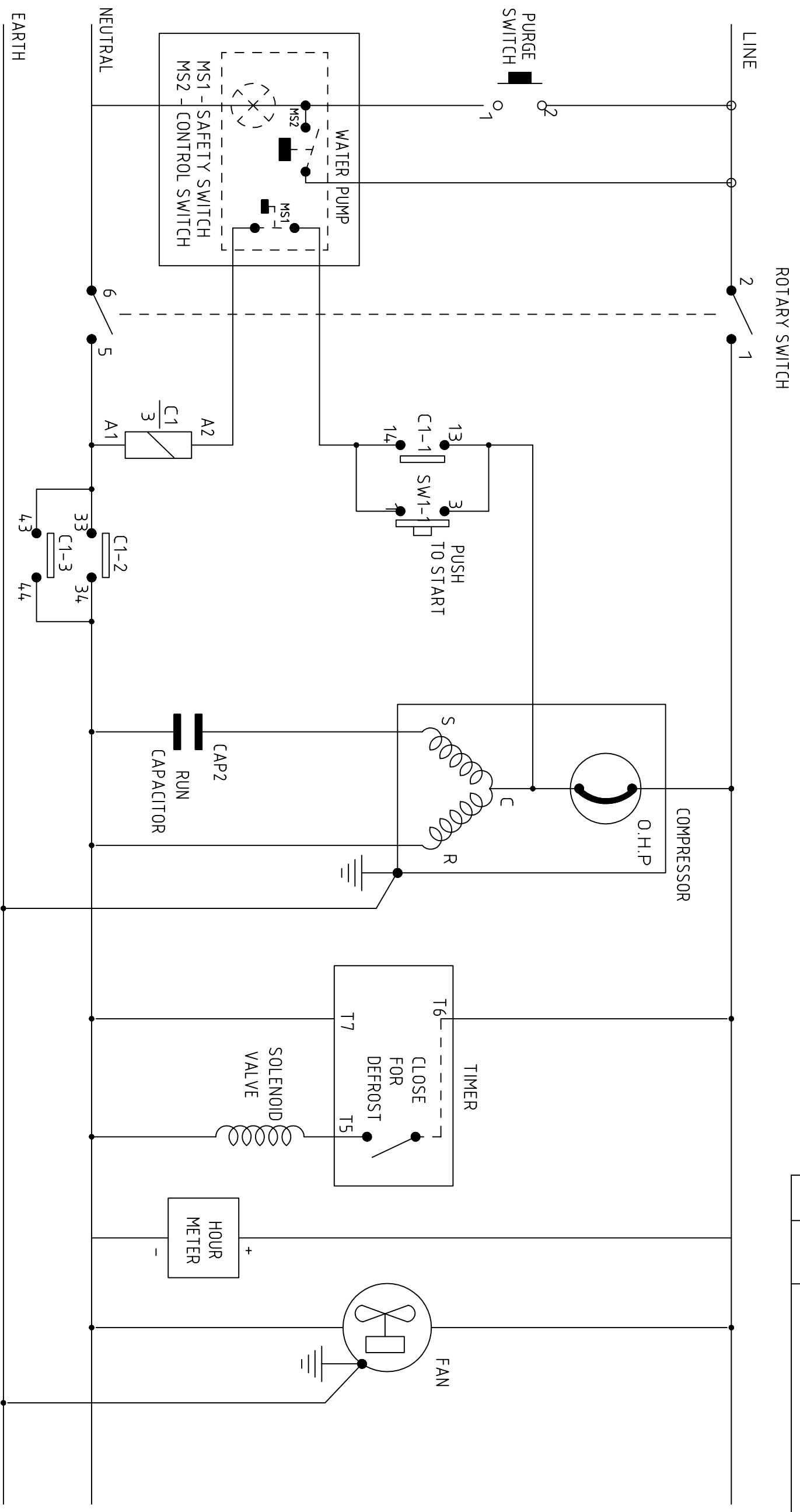
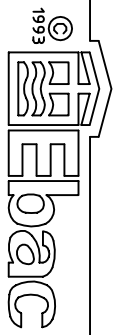


ISSUE	DATE	AMENDMENTS
1	21/11/11	ORIGINAL



 LIMITED BISHOP AUCKLAND ENGLAND		TITLE <b>EC0150 - WIRING SCHEMATIC - GE</b>	
DIMENSIONS IN m.m. TOLERANCES UNLESS OTHERWISE STATED 0.                    ± 1 0.0                  ± 0.25 0.00                ± 0.05 ANGULAR ± 0.5 DEGREE		MATERIAL ----- FINISH -----	
3RD ANGLE PROJECTION DO NOT SCALE IF IN DOUBT ASK		DRAWN: W DAGLISH CAD SCALE: N/A DRG.NO. 5020318	
SHEET 1 OF 1		SHEET 1 OF 1	