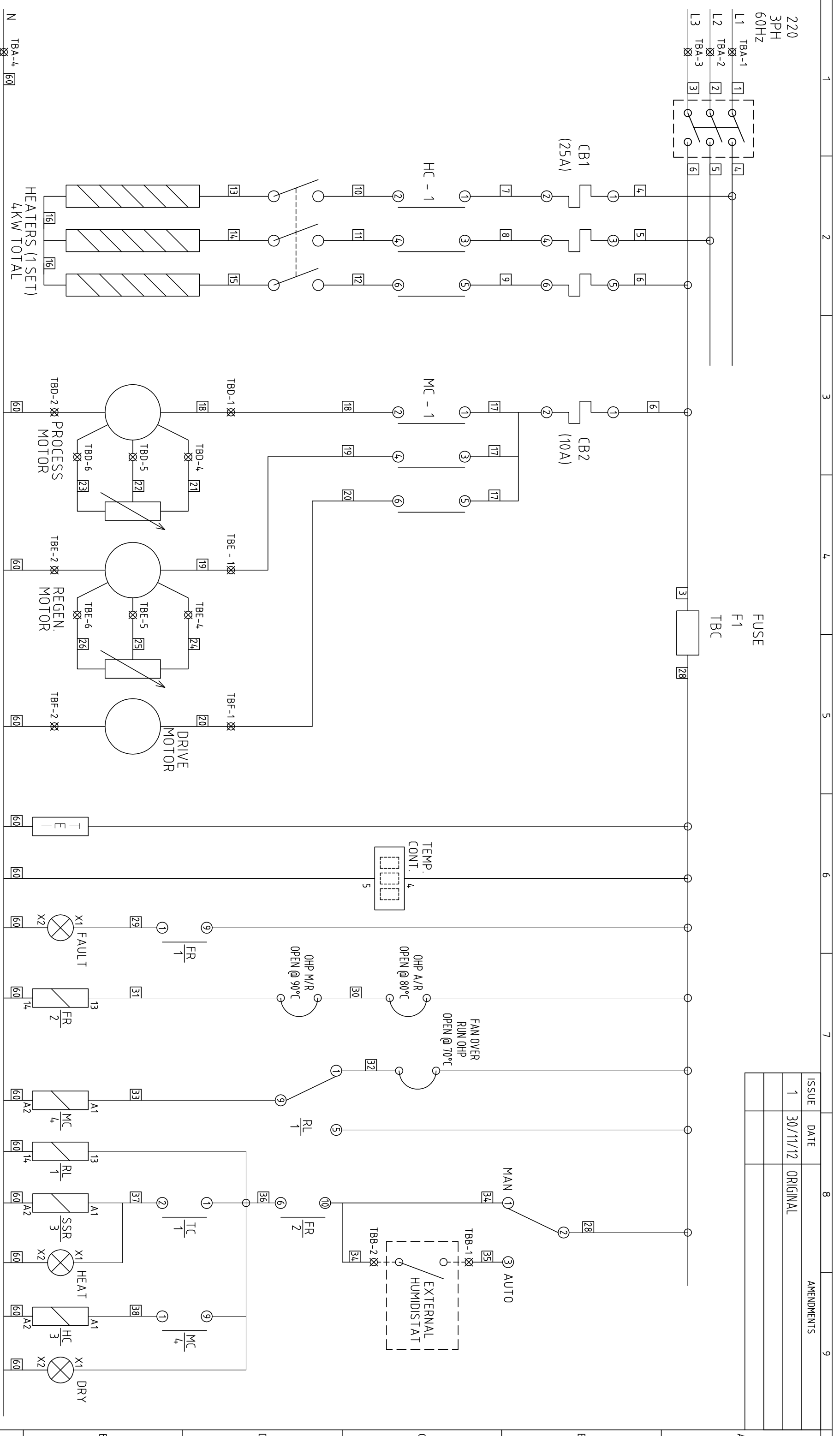
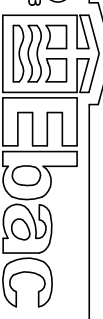


ISSUE	DATE	AMENDMENTS
1	30/11/12	ORIGINAL





1993  
LIMITED  
BISHOP AUCKLAND  
ENGLAND

**TITLE**  
DD700 - 415V 50HZ 3 PH - WIRING SCHEMATIC

<b>MATERIAL</b> N/A	<b>DRAWN :</b> W DAGLISH
<b>FINISH</b> N/A	<b>CAD SCALE :</b> N/A
<b>DRG.NO.</b> 5020355	<b>SHEET</b> 1 OF 1

220  
3PH  
60HZ

L1 TBA-1  
L2 TBA-2  
L3 TBA-3

**FUSE**  
F1  
TBC

HEATERS (1 SET)  
4KW TOTAL

CB1 (25A)  
CB2 (10A)

HC - 1  
MC - 1

TBD-1  
TBD-2  
TBE-1  
TBE-2  
TBF-1

TEMP. CONT.  
FAN OVER RUN OHP  
OHP A/R  
OHP M/R

FR  
RL  
TC  
SSR  
HEAT  
HC  
DRY

X1  
X2